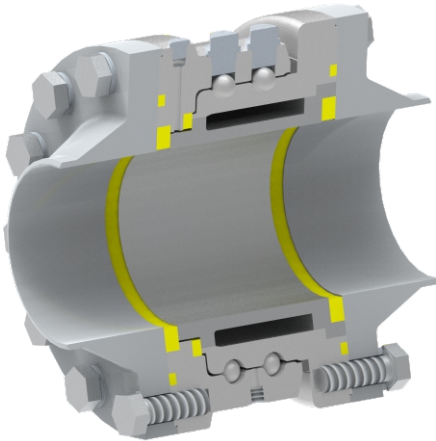


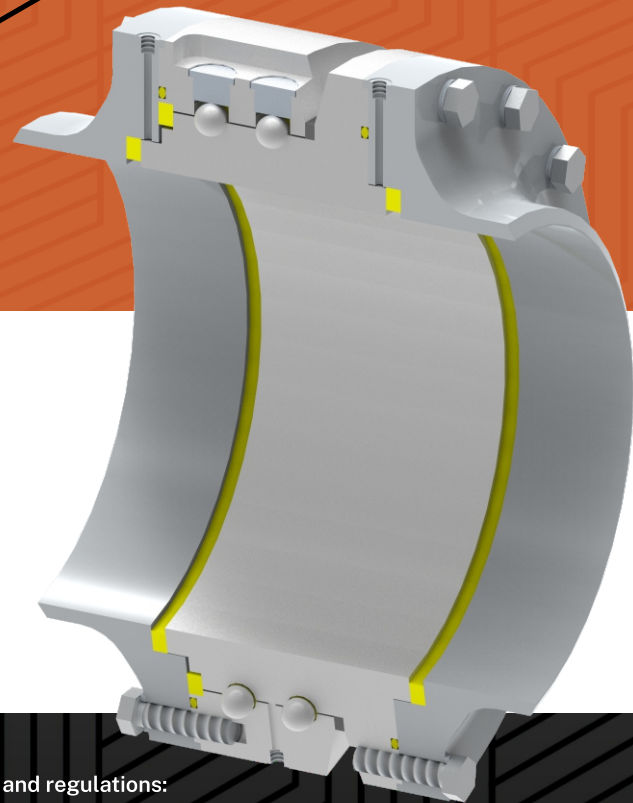
CRYO≈FLOW

- Designed for easy and secure transfer of Liquid Natural Gas [LNG], Liquid Oxygen [LOx], Liquid Nitrogen [LN₂], Liquid Argon [LAr], Liquid Hydrogen [LH₂] [H₂] and other media
- Design pressure from -0.5bar vacuum to 25 bar gauge pressure
- Design temperature (depending on the fluid) down to under -255°C / 427°F / 18,15K
- Sizes available from DN50 (2") to DN400 (16")



- Manufactured from various Stainless Steels (depending on the fluid)
- Two ball races for maximum load capacity
- 4-piece design with identical flanges for easy and fast installation and maintenance
- Double mainseal system with leakage control for increased safety
- High-quality seal system made of UHMW-PE (Ultra-high-molecular-weight)
- Ball races flushed with dry gas (depending on the fluid)
- Special liner (air barrier) available to reduce cooling time
- Completely manufactured in Germany

Sizes DN Ø	S [mm]	EN (Pn25)	ASME (SCH Std)	Ø A [mm]	L [mm]	Weight [kg]
2" 50 Ø60,3	2,9	3,91	165	210	22	
3" 80 Ø88,9	3,2	5,49	206	250	35	
4" 100 Ø114,3	3,6	6,02	235	260	42	
6" 150 Ø168,3	4,5	7,11	315	300	89	
8" 200 Ø216,1	6,3	8,18	360	300	120	
10" 250 Ø273,0	7,1	9,27	418	300	145	
12" 300 Ø323,9	8,0	9,53	469	300	165	
14" 350 Ø355,6	8,0	9,53	528	300	210	
16" 400 Ø406,4	8,8	9,53	579	300	240	



Compliant with the following standards and regulations:

- EN 1474
- ISO 16904:2016
- OCIMF '99
- PED 2014/68/EU
- AD-2000

info@atn-engineering.de
+49 (0)2330 99990200

© 2025 ATN Engineering, All Rights Reserved